



GOST - R

SPECIAL FEATURES

- STAINLESS STEEL CASE & MEASURING SYSTEM
- SOCKET & CASE WELDED
- PROTECTION IP 55
- STANDARD FOLLOWED IN GENERAL EN 837-1

APPLICATIONS

CLEAN AIR, NON CORROSIVE GASES / LIQUID MEDIA THAT WILL NOT OBSTRUCT THE PRESSURE SYSTEM.

SPECIFICATIONS

STANDARD VERSION : 100 mm & 150 mm

Accuracy	: ±1.6% of F. S.
Ambient temperature	: 0 to 65°C
Process temperature	: Max. 200°C
Operating Pressure Range	: 75% of the Scale Value
Over pressure limit	: 125% of Max. Scale Value

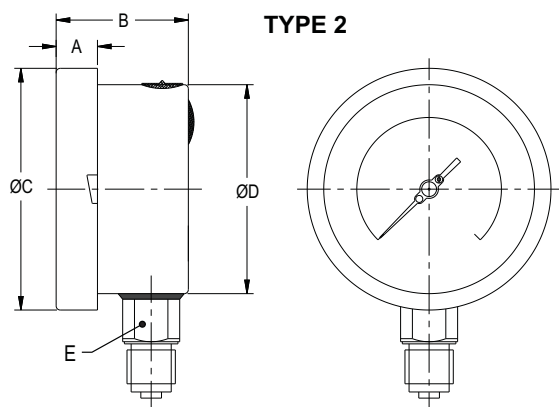
Case & Ring	: AISI 304 SS (Bayonet Type)
Bourdon	: AISI 316L SS
Socket	: AISI 304 SS (Directly Welded to Case)
Movement	: AISI 304 SS
Joints	: Tig Argon Arc Welding

Protection	: IP 55
Dial	: Aluminum, black graduation on white background
Pointer	: Aluminum, black coloured, slotted zero adjustable
Window	: Sheet Glass
Blow off Disc	: Neoprene
Gasket	: Neoprene

Temperature effect:
 The variation of indication caused by effects of temperature is to be calculated by below formula; which is to be added in the specified accuracy while measurement :-
 Formula : $\pm 0.04 \times (t_2 - t_1) \% \text{ of F. S.}$
 where t_1 = reference temperature (+20°C) and t_2 = ambient temperature in °C.



DIMENSIONS - STANDARD VERSION



NS	A	B	ØC	ØD	E	Weight in gram (With Box)
100	12.5	47	111	100	22	640.0
150	15	49	161	149	22	1020.0

Notes : • Drawings are not to scale. • All Dimensions are in mm. • NS = Nominal Size.

RANGE TABLE

Following Ranges are available in kg/cm² and psi (Dual Scale) only.

PRESSURE**VACUUM & COMPOUND**

PRESSURE RANGES (psi with kg/cm ²)					
psi	kg/cm ²	psi	kg/cm ²	inHg with psi	mmHg with kg/cm ²
0/60	0/4	0/400	0/28	- 30/0	- 760/0
0/100	0/7	0/500	0/35	- 30/60	- 760/4
0/150	0/10	0/600	0/42	- 30/150	- 760/10
0/220	0/16	0/1000	0/70	-30/200	-760/14
0/300	0/21				

HOW TO ORDER**BASIC MODEL**

Example

CODE

BV

F H

NOMINAL SIZE

100 mm 150 mm

X

TYPE OF MOUNTING

2 DIRECT BOTTOM ENTRY

X

GAUGE CONNECTION

3BM 3/8" BSP (M) STANDARD

4BM 1/2" BSP (M) STANDARD

4NM 1/2" NPT (M) STANDARD

XXX

RANGE

REFER RANGE TABLE

0/10
kg/cm²**OPTIONAL EXTRAS**

PW FIVE POINT CALIBRATION CERTIFICATE

SW DIAL TAG MARKING

SX SS TAG PLATE

TB HELIUM LEAK TEST

QB INTEGRAL DAMPENING SCREW (AISI 316 SS)

GH MATERIAL TEST CERTIFICATES***

XX

*** MATERIAL TEST CERTIFICATES WILL BE PROVIDED FOR WETTED PARTS ONLY WITH CHEMICAL COMPOSITION TESTING. FOR OTHERS, PLEASE CONSULT FACTORY.

Note : Dial scale will be in black color only. 'ECO' will be printed on dial.

Ordering Example: BV - X - X - XXX - 0/10 kg/cm² - XX

Note : Specifications and dimensions given in this product catalogue represents the state of engineering at the time of printing. Modifications may take place and materials specified may be replaced by others without prior notice.